

# Series 170

## HD Brushless

# 100-17102,-D

## 14 Volts 350 Amps

### PRODUCT SPECIFICATIONS

<b>Part number</b>	100-17102
<b>System Voltage</b>	12V
<b>Rated Output</b>	350A
<b>Output @ 2000 rpm</b>	210A
<b>Ground</b>	Negative
<b>Mounting</b>	J180 4" Hinge
<b>Rotation</b>	Bidirectional
<b>Temperature limits:</b>	
Low	-40°C / -40°F
High	125°C / 257°F
<b>Speed limits:</b>	
	8000 RPM continuous
	9000 RPM intermittent
<b>Coating</b>	Corrosion-Resistant E-Coated
<b>Weight</b>	38 Lbs / 17.4 Kg.
<b>Regulator</b>	Integral
<b>Excitation</b>	Self-excited
<b>Indicator Light</b>	Yes
<b>Remote Sense</b>	Yes
<b>Soft Start Delay (SSD)</b>	Yes
<b>Load Response Control (LRC)</b>	Yes
<b>Field Short Circuit Protection</b>	Yes
<b>Load Dump Protection</b>	Yes
<b>Overvoltage Shut-Down (OSD)</b>	Yes

#### RECOMMENDED FOR:

- School & Shuttle Buses
- Utility Vehicles
- Marine & Mining
- Agricultural
- Construction & Industrial



**100-17102**

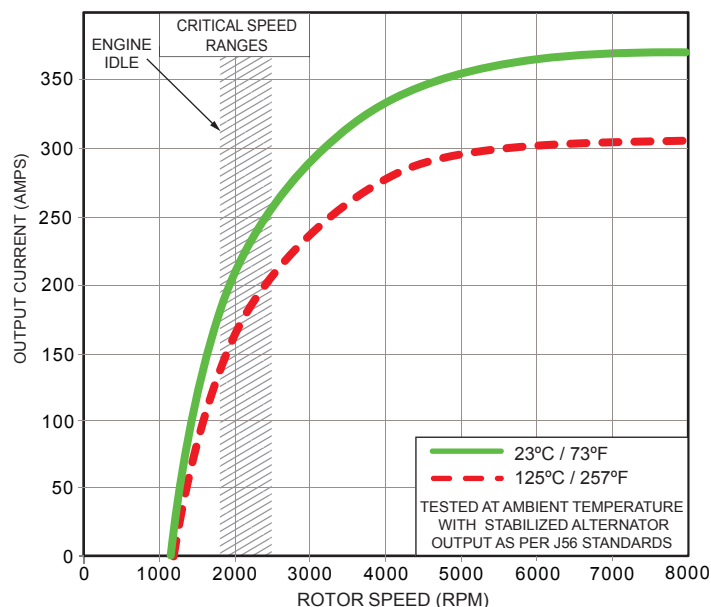


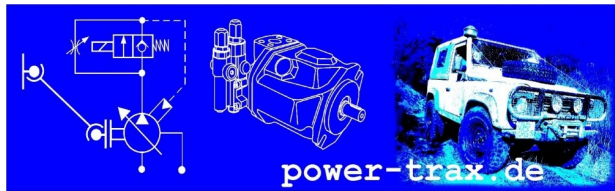
**100-17102-D**  
with air intake cover

#### NOTE:

*This D Star 100-17102 alternator, meets the marine requirements for Ignition Protection on gas or diesel engines of ISO 8846, USCG, stated in Title 33 CFR 183.410, SAE J1171 and International CE Standards.*

#### PERFORMANCE CURVES

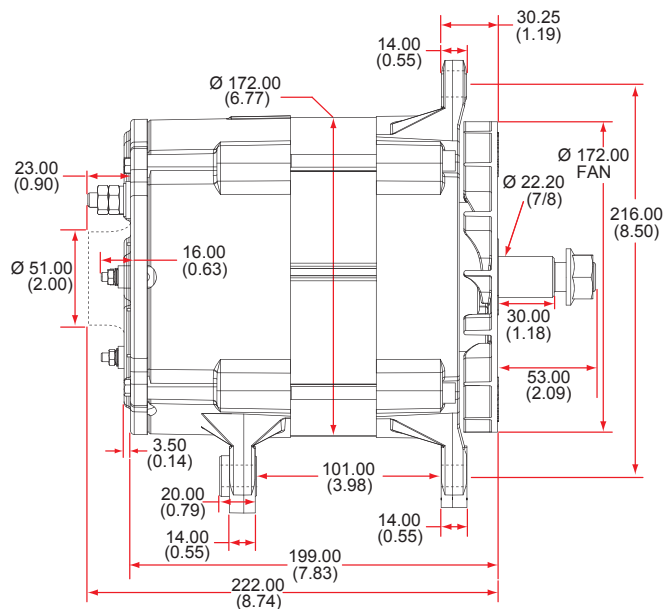




# Series 170

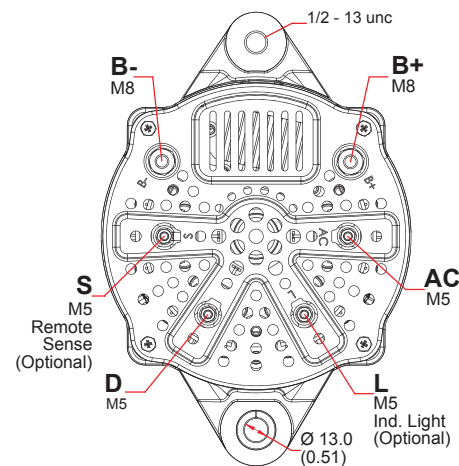
## HD Brushless

### OUTLINE



Dimensions are listed in mm over (in)

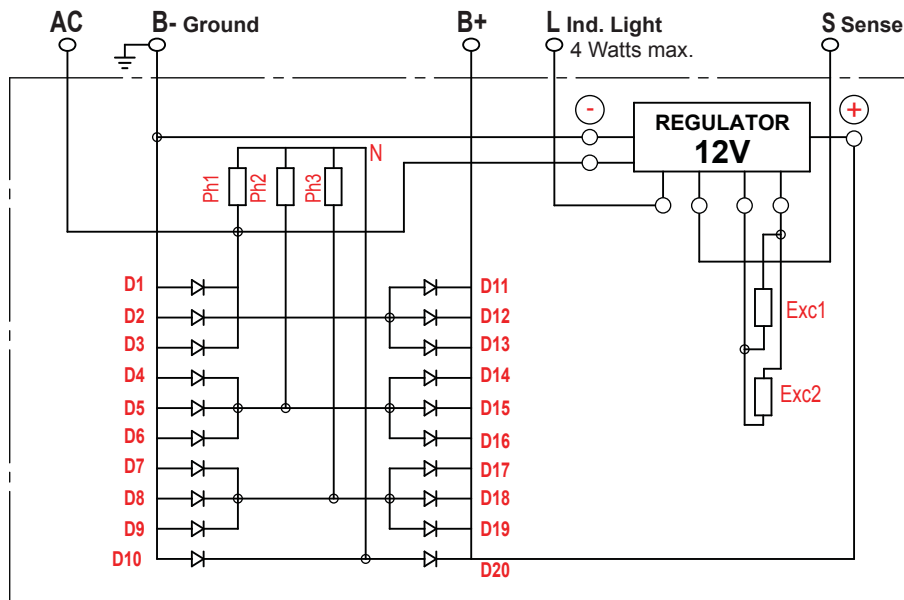
### CONNECTIONS



## 100-17102

14 Volts 350 Amps

### ELECTRICAL SCHEMATIC



### Power-Trax.de

Sonderfahrzeugbau - Technischer Spezialvertrieb

<http://www.power-trax.de>

info @ power-trax.de

Tel.: +49 - (0)906 / 9999 849-17

Mobil: +49 - (0)163 / 4321 435

Fax: +49 - (0)906 / 9999 849-18

Dietrich-Bonhoeffer-Str. 28

D-86609 Donauwoerth